

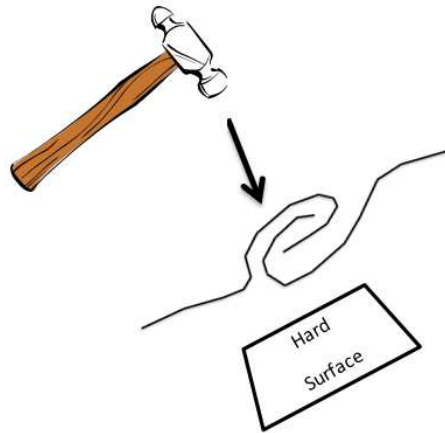


Duct Work
INSTALLATION MANUAL

DATE INSTALLED: _____

STANDARD TOOLS AND EQUIPMENT CO. 1-800-451-2425

Step 1: Assemble 4 ft. sections of ductwork. Make sure duct ends connect together as shown in Example A. Strike with hammer down the seam using a pipe, dolly, or hard surface to ensure proper connection.



EXAMPLE A

Cut a 19"x15" square hole in duct for access door so that the door overlaps duct 1" . Tek screw door against duct and caulk seam.

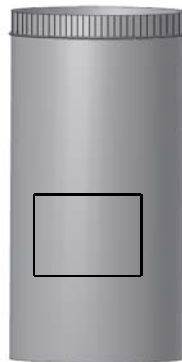


FIG. 1

Step 2: Fit duct inside of angle ring and Tek screw while making sure that the duct does not stick below ring and rolled end of duct faces up. It may be helpful to pre-drill holes into duct ring for a secure hold.



FIG. 2

Step 3: Bolt down the duct assembly onto the fan body with the 3/8" hardware provided.



FIG. 3

Step 4: Attach 2nd piece of duct to the assembly. The non-rolled end of duct overlaps rolled end of first piece of duct and sits on knuckle. Tek screw every 4"-6" where duct joins to secure into place.

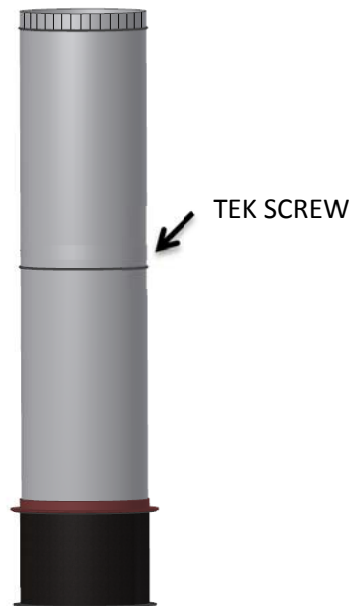


FIG. 4

Step 5:

Assembling the curb

OPTION A

When cutting into the roof, cut a 3" larger diameter hole than the ductwork given. For example, if you have a 24" diameter duct kit, cut the hole 27" inches in diameter. ***Code Requirement is that duct is 6 ft. higher than roof line before duct end cap is attached.***

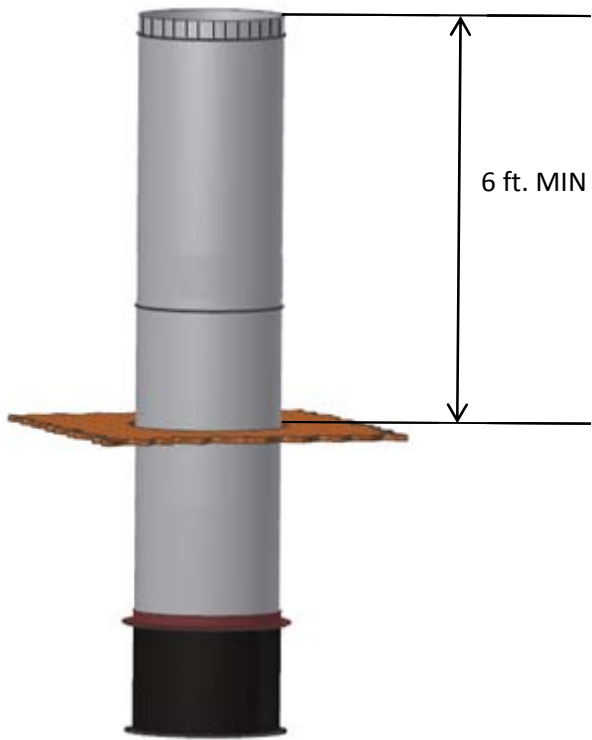


FIG. 5

Once the duct protrudes through the roof, sit curbing over the duct. Attach the 4 triangles provided to the curb and the duct as shown in FIGURE 7, secure them with tek screws. Tek screw curb flanges to roof and seal flanges with outdoor caulking or roofing tar.

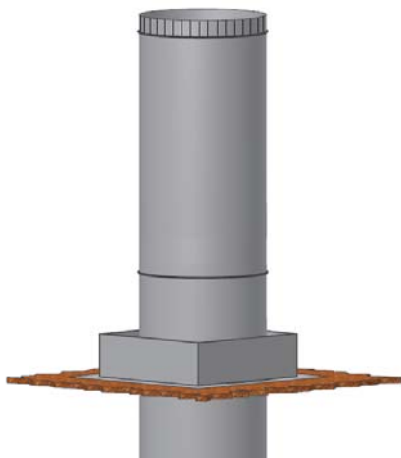


FIG. 6

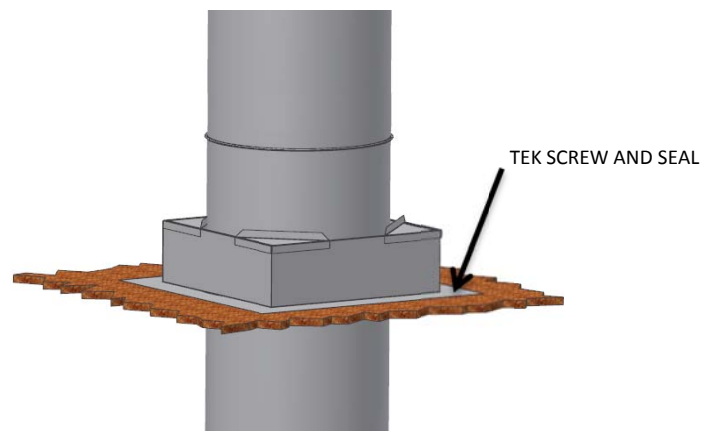


FIG.7

OPTION B

Cut a 26"x26" square hole into roof. Push curb through roof and tek screw flanges to hold in place.

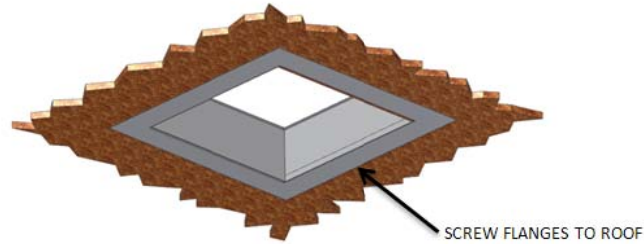


FIG. 8

Seal along seam of curb using outdoor caulking or roofing tar. Attach the 4 triangles provided to the curb and the duct as shown in FIGURE 9, secure them with tek screws. ***Code Requirement is that duct is 6 ft. higher than roof line before duct end cap is attached (FIGURE 5).***

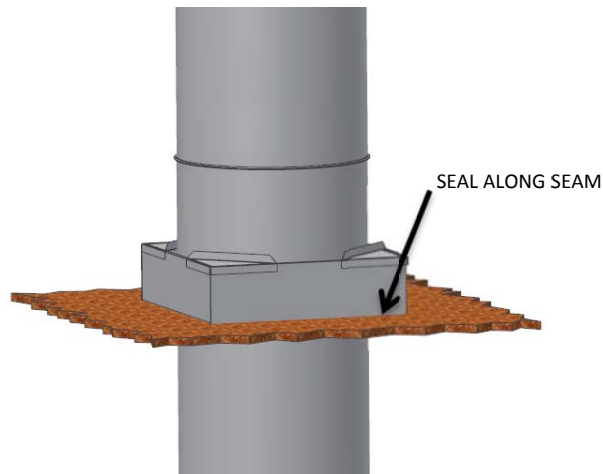
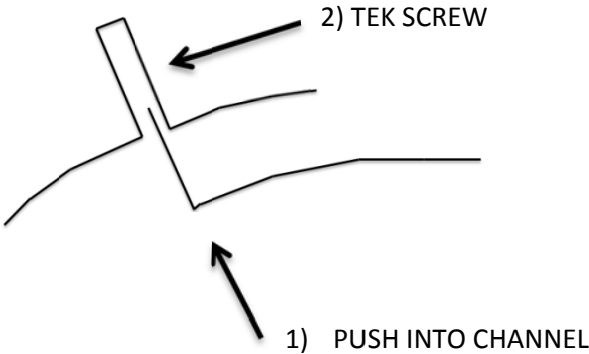


FIG. 9

Step 7: The rain collar is made of 2 pieces (FIGURE 10). Fasten the 2 pieces together by tek screwing the channel as shown in EXAMPLE B.

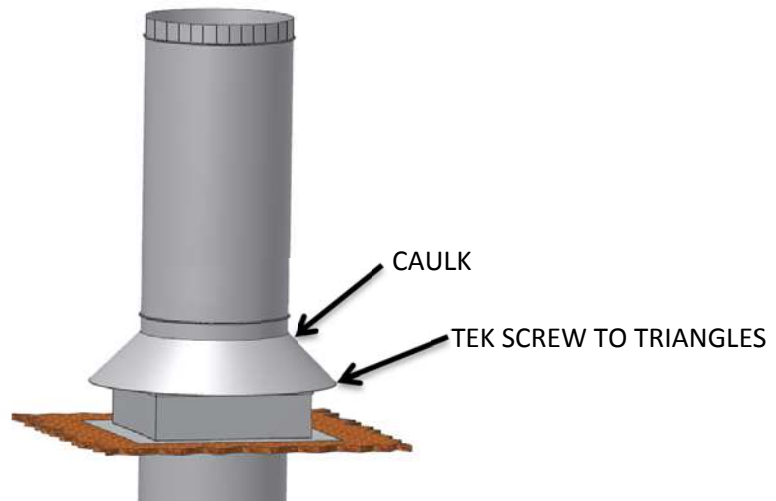


FIG. 10



EXAMPLE B

Step 8: Slide the rain collar over top of duct and rest over top of roof curb. Fasten the rain collar to the curb by tek screwing to the triangles installed to curb and caulking the seam that surrounds duct with outdoor caulking.



EXAMPLE C

Step 9: Attach end cap to duct assembly. The end cap overlaps rolled end of duct and sits on knuckle. Tek screw where duct joins to secure into place.

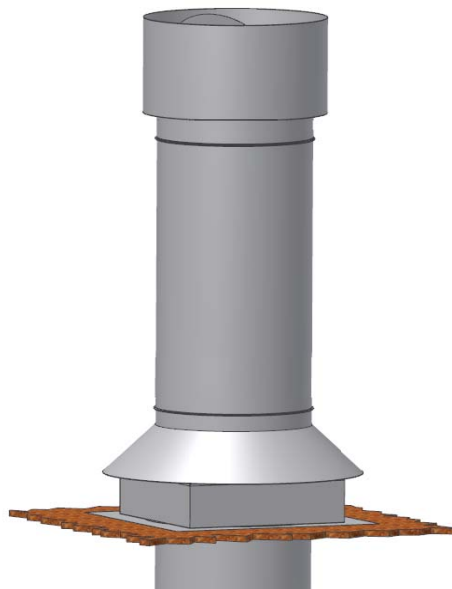


FIG. 11